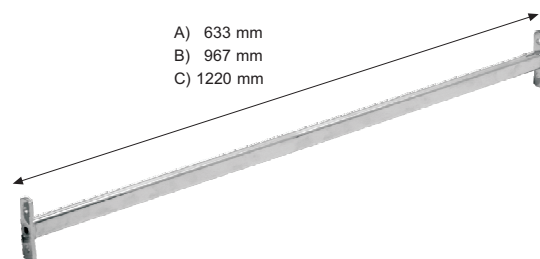
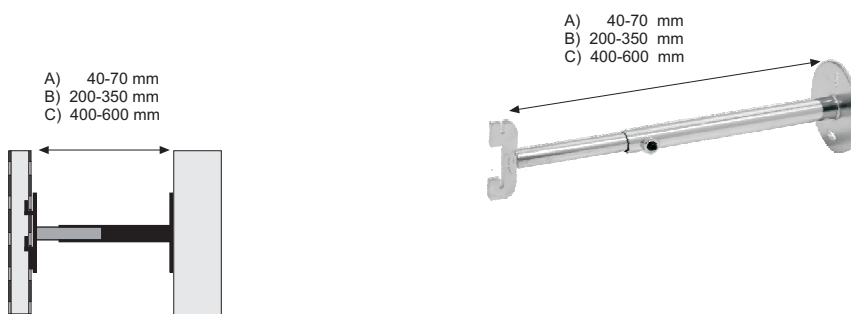


ART. Ek05 V5046 (A/B/C)

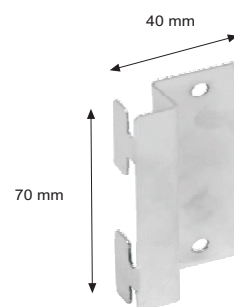
Stulpų sutvirtinimas d - 30 x 15
Oval cross-bar 30x15

**ART. Ek06 V5043 (A/B/C)**

Distancinis laikiklis
Spacer for wall fixing of uprights with 8 mm slot

**ART. Ek07 V5023**

Laikiklis nugarėliai stačiakampiems profiliams
Universal hook for bottom panel

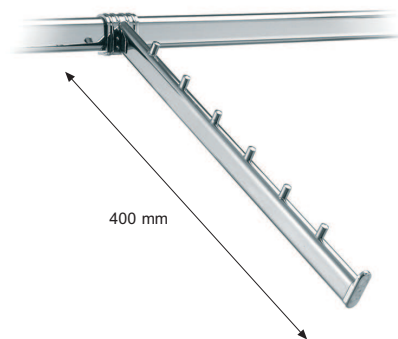
**ART. Ek08 GL23..010000**

Lentynos laikikliai kompl. SX/DX
Pair of horizontal tilttables shelves (RH - LH)

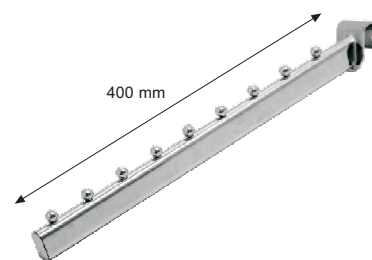


ART. Ek09 GI3202010000

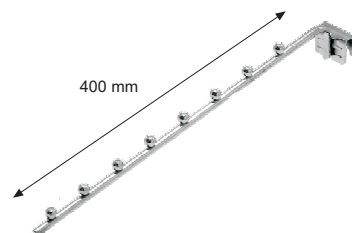
Pasvirusi ovalinė pakaba
Tilted support

**ART. Ek09 V5025**

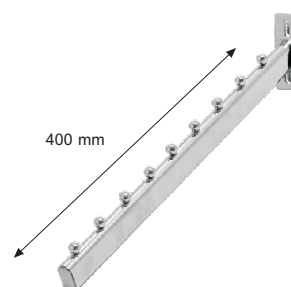
Pasvirusi pakaba
Inclined support

**ART. Ek09 V518**

Pasvirusi pakaba
Inclined support

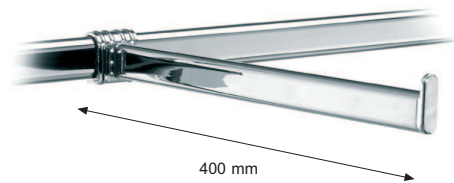
**ART. Ek09 V5047**

Pasvirusi pakaba
Inclined support

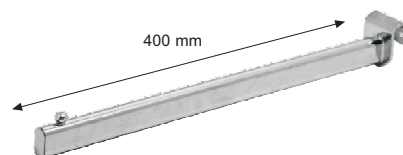


ART. Ek11 GI3002010000

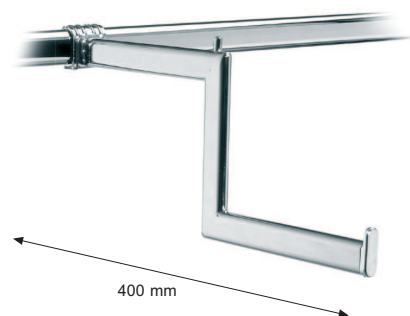
Tiesi ovalinē pakaba
Horizontal support

**ART. Ek11 V5026**

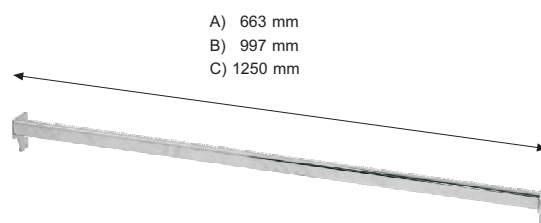
Tiesi ovalinē pakaba
Horizontal support

**ART. Ek12 GI3302010000**

Lenkta pakaba "Z"- formas
Step-shaped bar

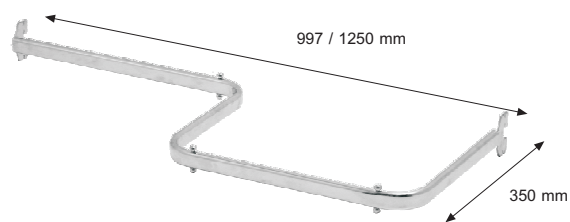
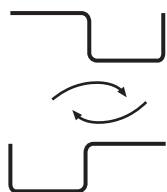
**ART. Ek13 V5027 (A/B/C)**

Ekspozīcijas rēmas
Longitudinal support bar

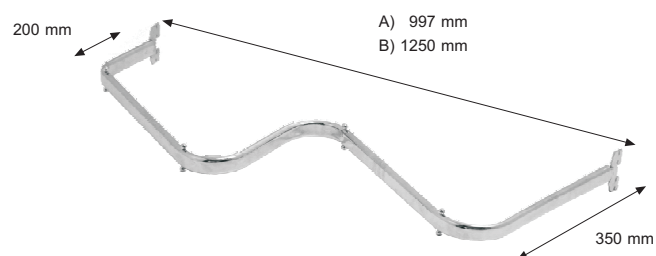
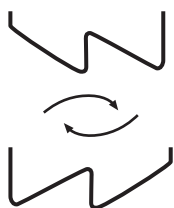


ART. Ek14 V5029

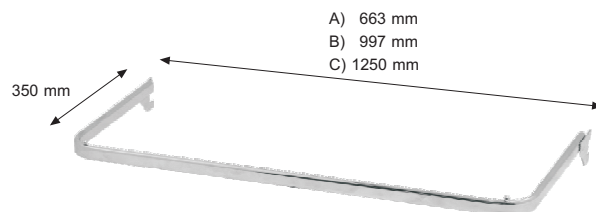
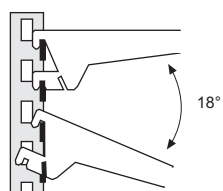
Ekspozicinis lenktas rėmas
Flexible support bar for suspension

**ART. Ek15 V5030**

Ekspozicinis laužytas rėmas
Flexible support bar for suspension

**ART. Ek16 V5032 (A/B/C)**

Ekspozicinis rėmas "U" formos
U shaped support bar

**ART. Ek17 V5045**

Rėmas persirengimo kabinetui
Base for booth

